

# SCORPION

The ultimate general purpose laser for marking and engraving

The dependable industrial laser marking solution



SCORPION

- Our durable low mode laser offers consistent and quality performance for a wide range of applications
- Complete control of the laser beam parameters to permit a wide range of marking finishes
- Extremely low operational cost and virtually maintenance free



# SCORPION

## Product selection parameters

| Laser              | Frequency Range (KHz) | Average Power (W) | Max. Peak Power (kW) | Max. Pulse Energy (mJ) | Pulse Duration (ns) |
|--------------------|-----------------------|-------------------|----------------------|------------------------|---------------------|
| <b>SCORPION II</b> | 2-200                 | 20                | 14                   | 1                      | 80-120 ns           |
| <b>SCORPION V</b>  | 2-200                 | 50                | 12                   | 1                      | 80-120 ns           |

## Marking area parameters

| Flat Field Focal Length (mm) | Max. Square Marking Field (mm) | ( $\phi$ d) Max. Marking Diameter (mm) | (Fd) Working Distance (mm) | *Spot size (typical) |
|------------------------------|--------------------------------|--|----------------------------|----------------------|
| <b>100</b>                   | 60 x 60                        | 85                                     | 106                        | 28 $\mu$ m           |
| <b>163</b>                   | 100 x 100                      | 140                                    | 184                        | 44 $\mu$ m           |
| <b>254</b>                   | 160 x 160                      | 220                                    | 323                        | 70 $\mu$ m           |
| <b>350</b>                   | 202 x 202                      | 285                                    | 432                        | 95 $\mu$ m           |
| <b>410</b>                   | 250 x 250                      | 350                                    | 512                        | 112 $\mu$ m          |

## SCORPION RAPIDE



See our Scorpion Rapide datasheet for our high performance fibre lasers

\*Assumes X 4 beam expander

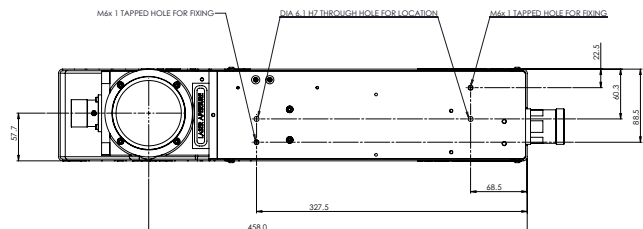
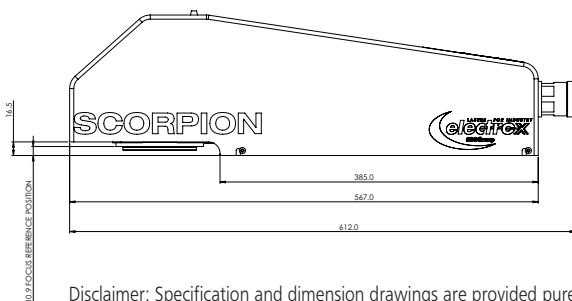
## Laser specification

(All types)

|                              |                             |     |                            |  |
|------------------------------|-----------------------------|-----|----------------------------|--|
| <b>Laser type</b>            | Yb:Fibre                    | All | <b>Power stability</b>     | $\pm$ 1%   |
| <b>Wavelength</b>            | 1055-1075 nm                | All | <b>Control electronics</b> | 19 inch rack mounted (5U) module                         |
| <b>Max. marking speed</b>    | 10,000 mm.s <sup>-1</sup>   | All | <b>Supply requirement</b>  | Single phase + Earth, 50 or 60Hz; 110 - 240V. Power 250W |
| <b>Operating temperature</b> | Up to 40°C (non condensing) | All | <b>Weight</b>              | Laser 11Kg, Control Unit 17Kg                            |

## Dimensions

| Dimensions and Weight  | Height mm | Length mm | Width mm | Weight Kg |
|------------------------|-----------|-----------|----------|-----------|
| <b>Laser Enclosure</b> | 175       | 567       | 113      | 11        |
| <b>Control Unit</b>    | 140       | 625       | 421      | 17        |



Disclaimer: Specification and dimension drawings are provided purely for guidance purposes only. We reserve the right to change these at short notice.



## Leading laser marking systems

Electrox, Avenue One, The Business Park, Letchworth Garden City, Hertfordshire SG6 2HB United Kingdom  
 T. +44 (0)1462 472400 F. +44 (0)1462 472444 E. sales.uk@electroxlaser.com

